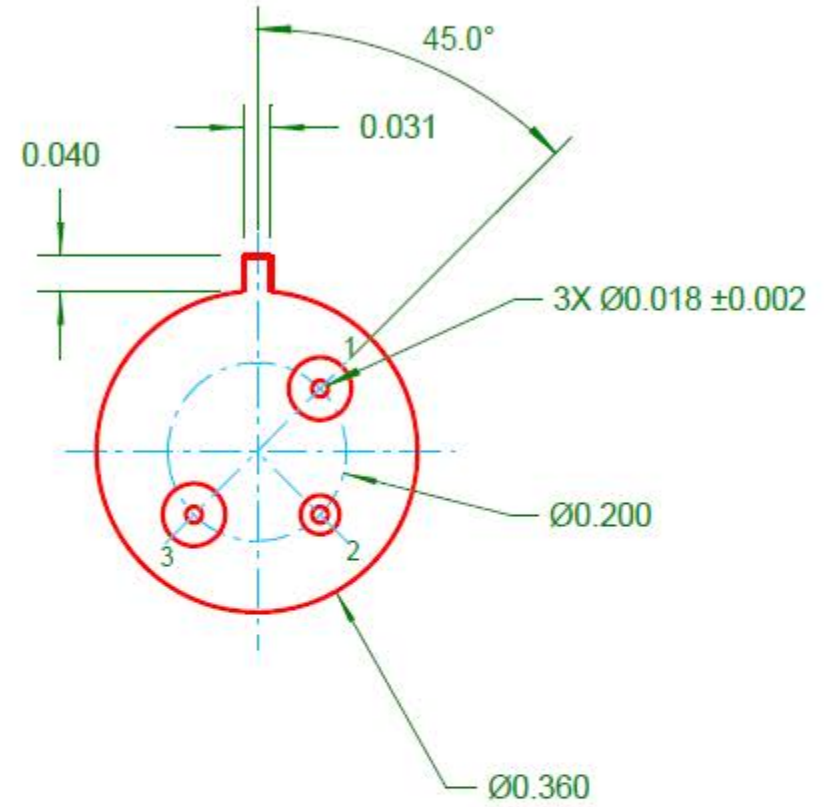
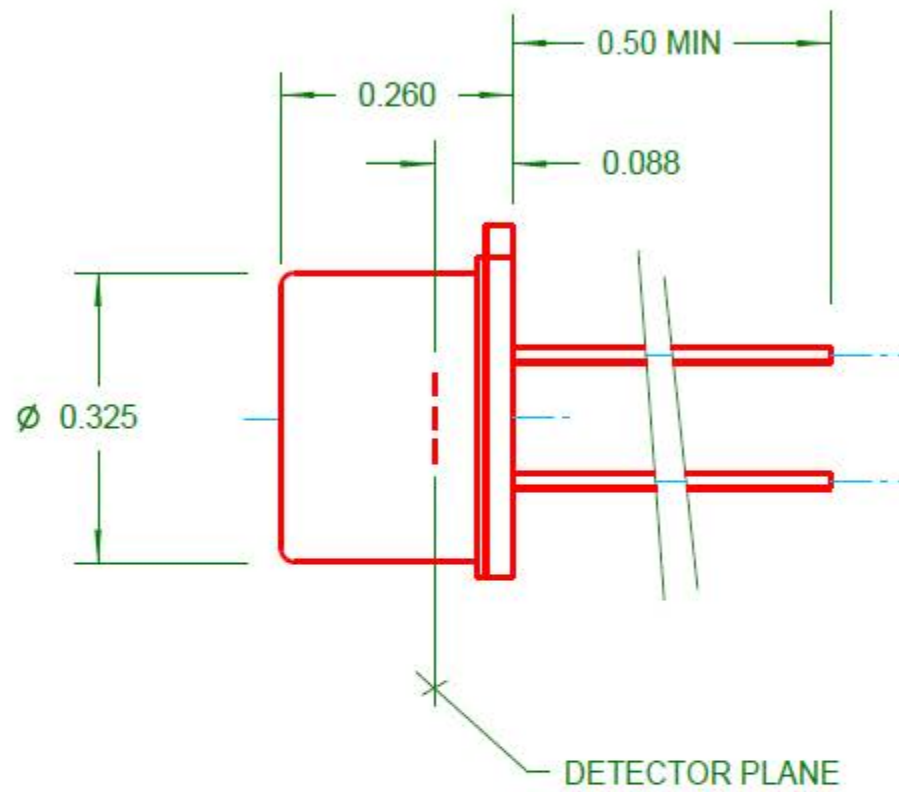


Non-Cooled TO-5



PIN NO.	PIN FUNCTIONS	
	FUNCTION	COLOR
1	DETECTOR	BARE
2	CASE GND	BARE
3	DETECTOR	BARE