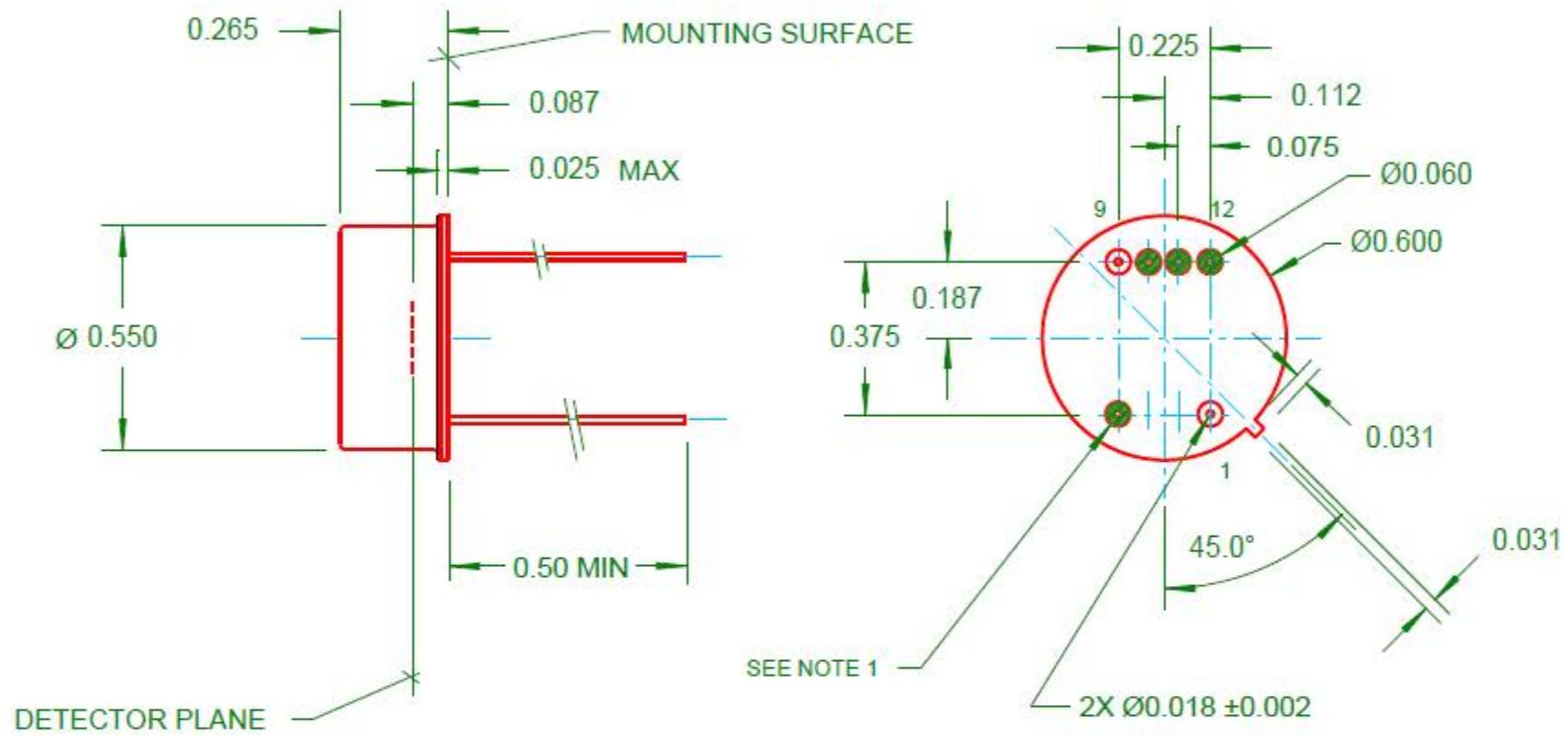


Non-Cooled TO-8



<u>PIN NO.</u>	<u>PIN FUNCTIONS</u>	
	<u>FUNCTION</u>	<u>COLOR</u>
1	DETECTOR	BARE
9	DETECTOR	BARE